

The PC-2369EN is certified according to the European Standard EN 54-24: 2008, and the International Standard ISO 7240-24: 2010. Certification number is 0359-CPD-0101.

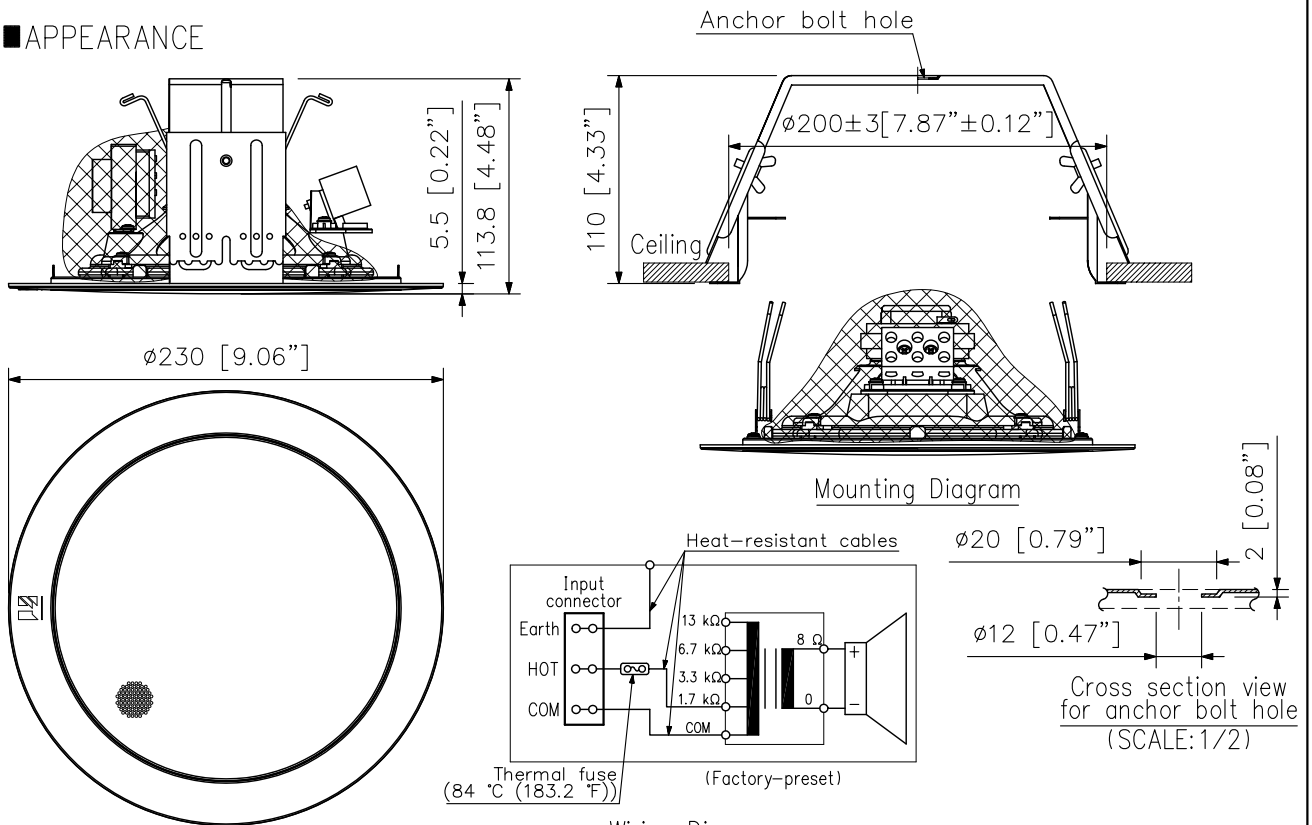
DESCRIPTION

The PC-2369EN is the voice alarm certification product. The PC-2369EN is suitable for announcement and music use in high quality sound cone speaker. Speaker design that harmonize with the venue's architecture and decor. Thin panel does not clash with interior design.

SPECIFICATIONS

Rated Noise Power	6 W (100 V line), 3 W (70 V line)
Rated Impedance	100 V line: 1.7 kΩ (6 W), 3.3 kΩ (3 W), 6.7 kΩ (1.5 W), 13 kΩ (0.8 W) 70 V line: 1.7 kΩ (3 W), 3.3 kΩ (1.5 W), 6.7 kΩ (0.8 W), 13 kΩ (0.4 W)
Sensitivity	94 dB (1 W, 1 m) (500 Hz - 5 kHz, pink noise) 92 dB (1 W, 1 m) (100 Hz - 10 kHz, pink noise) 80 dB (1 W, 4 m) (100 Hz - 10 kHz, pink noise)
Maximum Sound Pressure Level	98 dB (6 W, 1 m) (100 Hz - 10 kHz, pink noise) 86 dB (6 W, 4 m) (100 Hz - 10 kHz, pink noise)
Frequency Response	70 Hz - 18 kHz
Coverage Angle	Horizontal and Vertical: 160° (500 Hz), 170° (1 kHz), 160° (2 kHz), 60° (4 kHz)
Environmental Type	A (indoor applications)
Speaker Component	16 cm (6") double cone-type
Operating Temperature	-10 °C to +50 °C (14 °F to 122 °F)
Dimensions for Fixing Hole	Mounting hole: $\phi 200 \pm 3$ mm ($\phi 7.87 \pm 0.12$ ") Ceiling thickness: Max. 58 mm (2.28")
Speaker Mounting Method	Spring clamp
Applicable Cable	Outer diameter: $\phi 6.6 - \phi 12.5$ mm Conductor: Solid wire or 7-core wire No bridge connection: 0.8 - 10 mm ² (AWG18-AWG7) for solid wire, 0.8 - 8 mm ² (AWG18-AWG8) for 7-core wire Bridge connection: 0.8 - 2.5 mm ² (AWG18-AWG13) for solid wire, 0.8 - 1.5 mm ² (AWG18-AWG15) for 7-core wire
Connection	Screw connector (steatite terminal) can be bridge connection
Finish	Baffle: Steel plate, off-white (RAL 9010 or equivalent color), paint Grille: Surface-treated steel plate net, off-white (RAL 9010 or equivalent color), paint
Dimensions	$\phi 230 \times 113.8$ (D) mm ($\phi 9.06 \times 4.48$ ")
Weight	1.1 kg (2.43 lb)

APPEARANCE



[Note] Use transformer terminals when changing input impedance.

UNIT:mm SCALE:1/4